

# Vehicle Scales



## **Portable Truck Scales**

---

Quick and Easy Transport

---

Simple Installation

---

Inexpensive Relocation

---

## **Portable Truck Weighing** Where and When You Need It

**METTLER TOLEDO**

A graphic element consisting of several parallel, slightly curved lines in shades of green and yellow, radiating from the bottom left towards the top right, positioned behind the company name.

# Move Your Weighing Operation without High Costs or Long Delays

No matter how often your weighing operation moves, METTLER TOLEDO has a portable truck scale to meet your needs. Choose a VTS231 premium portable for operations that move frequently or a basic portability option for seasonal relocation. Both scales are designed to provide the same accurate, reliable weighing as a permanent scale.

## Quick and Easy Transport



The premium portable design can be moved in one piece. Simply lift the scale and its attached frame onto a flat-bed trailer for transport. The basic portability option requires removing the scale modules and dismantling the frame before loading the components onto a trailer to be moved.

## Simple Installation



Installation can be as easy as setting the premium portable scale on solid, level ground and forming an earthen ramp at each end. The basic portability option requires field assembly. Bolt the frame components together, set the scale modules in place, and provide ramps.

## Inexpensive Relocation



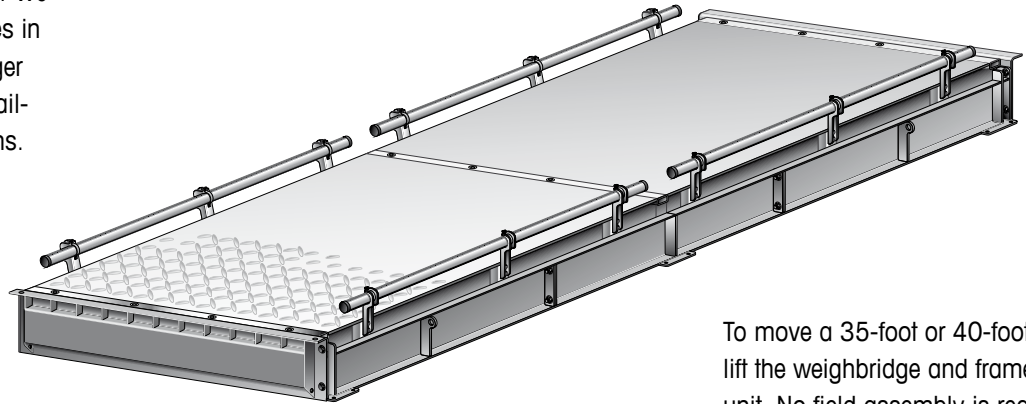
Start weighing at a new location without the expense and delay of pouring a permanent concrete foundation that requires weeks of curing before you can use it. Typical applications:

- Sand, gravel, logging, and concrete/asphalt batching operations
- Construction, demolition, and road-building projects

### VTS231 Premium Portable

Designed for easy transport and setup, this scale is ideal for weighing operations that move frequently. We supply factory-assembled scales in lengths of 35 and 40 feet. Longer scales (70 and 80 feet) are available in two bolt-together sections.

Optional side rails are available for both types of scale.

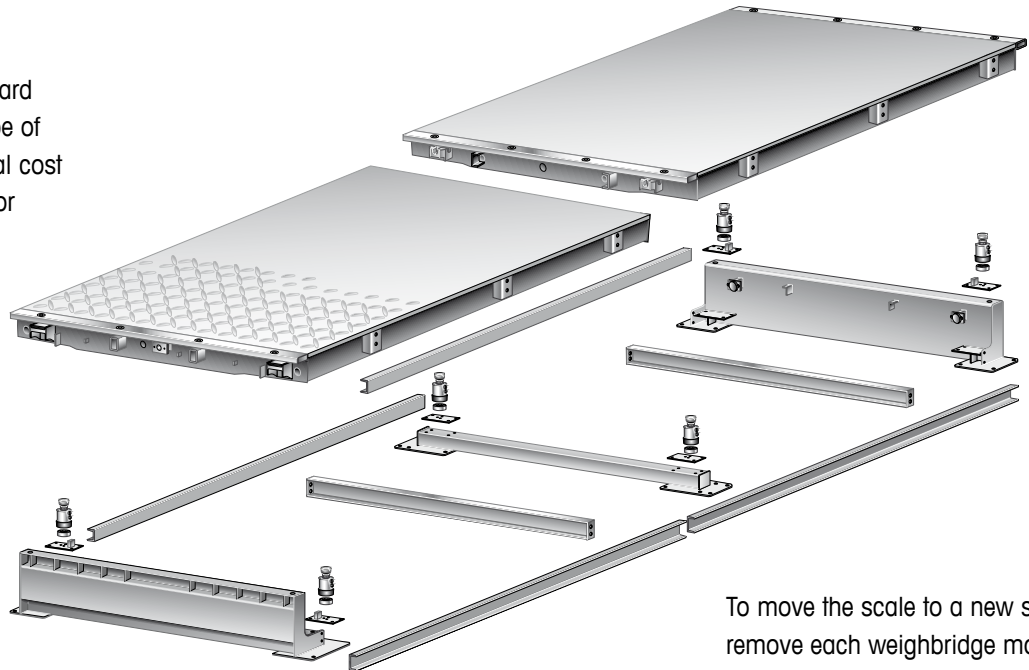


To move a 35-foot or 40-foot scale, lift the weighbridge and frame as a unit. No field assembly is required, except bolting together the two sections of a longer scale.

## VTS231 Premium Portable

### Basic Portability Option

The basic portability option is designed to be used with standard modular weighbridges. This type of portable scale has a lower initial cost but requires more time and labor each time it is moved.



To move the scale to a new site, remove each weighbridge module, dismantle the frame, and then reassemble the scale at the new location.

## Basic Portability Option

### VTS231 Premium Portable

|             |                                      |
|-------------|--------------------------------------|
| Model       | VTS231                               |
| Length      | 35, 40, 70, 80 feet                  |
| Deck Width  | 10 feet                              |
| Profile     | 24 inches                            |
| Application | For frequent relocation              |
| Assembly    | Factory assembled                    |
| Lifting     | By frame in lengths of 35 or 40 feet |
| Foundation  | Compacted gravel (minimum)           |

### Basic Portability Option

|             |  |
|-------------|--|
| Model       | VTS100, VTS101, VTS231                   |
| Length      | Multiples of 15, 17.5, 20, and 23 feet   |
| Width       | 10, 11 feet                              |
| Profile     | VTS10x: 22.5 inches, VTS231: 21.5 inches |
| Application | For less frequent relocation (seasonal)  |
| Assembly    | Bolt together on site                    |
| Lifting     | By module (frame dismantled)             |
| Foundation  | Compacted gravel (minimum)               |

## POWERCELL® PDX® Technology

Portable truck scales are available with POWERCELL® PDX® load cells. This advanced weighing technology delivers high accuracy, low maintenance, and an excellent return on investment.

- **Streamlined network**  
eliminates junction boxes
- **Predictive diagnostics**  
verifies scale performance
- **Digital compensation**  
maintains weighing accuracy
- **Proven lightning protection**  
prevents costly damage



[www.mt.com/vehicle](http://www.mt.com/vehicle)

For more information

#### Mettler-Toledo, LLC

1900 Polaris Parkway  
Columbus, Ohio 43240  
Tel. (800) 786-0038  
(614) 438-4511  
Fax (614) 438-4900

Specifications subject to change without notice.

© 2014 Mettler-Toledo, LLC

12/2014  
30138556



Produced in a  
facility that is

